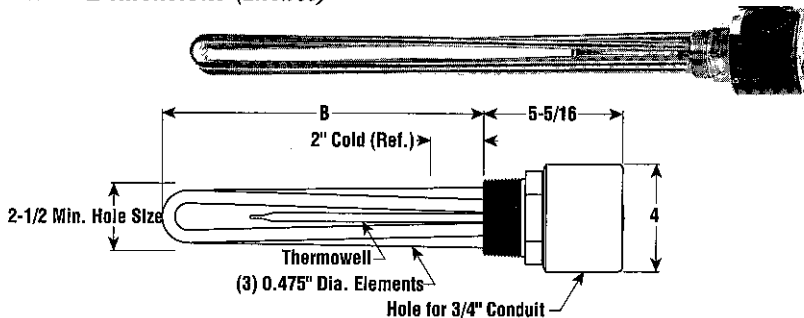


## MTI-3 Solution Water Applications

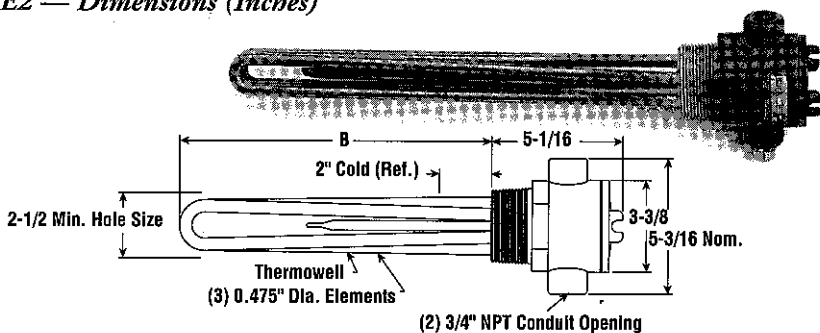
- 2-1/2" NPT Stainless Steel Screw Plug
- INCOLOY® Sheath Elements
- High Watt Density (46 - 53 W/in<sup>2</sup>)
- 3 - 18 kW
- Without Thermostat
- 240 and 480 Volt, Three Phase
- General Purpose, Moisture Resistant/Explosion Resistant Terminal Enclosure or Moisture Resistant

E1 — Dimensions (Inches)

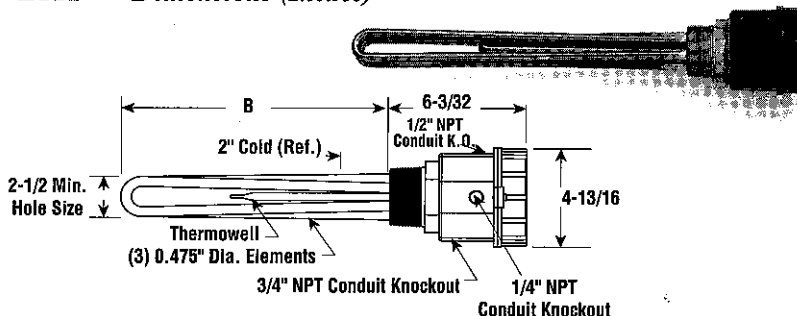


SCREW PLUG

E2 — Dimensions (Inches)



E4TP — Dimensions (Inches)



### Specifications and Ordering Information

						E1 General Purpose <sup>1</sup>				E2 Moisture Resistant/ Explosion Resistant <sup>2</sup>				E4 Moisture Resistant			
kW	Volts	Phase	W/in <sup>2</sup>	No. Elem.	DIM B (In.)	Model	Stock	PCN	Wt. (Lbs.)	Model	Stock	PCN	Wt. (Lbs.)	Model	Stock	PCN	Wt. (Lbs.)
3	240	3	51	3	6-7/8	MTI-330A	AS	187661	5	MTI-330E2	AS	187670	8	MTI-330E4TP	AS	064320	11
3	480	3	51	3	6-7/8	MTI-330A	NS	187688	5	MTI-330E2	NS	187696	8	MTI-330E4TP	AS	064338	11
4.5	240	3	48	3	10-7/8	MTI-345A	AS	187709	6	MTI-345E2	AS	187717	9	MTI-345E4TP	AS	064346	12
4.5	480	3	48	3	10-7/8	MTI-345A	AS	187725	6	MTI-345E2	AS	187733	9	MTI-345E4TP	AS	064354	12
6	240	3	48	3	17-1/8	MTI-360A	AS	187741	6	MTI-360E2	AS	187750	9	MTI-360E4TP	AS	064362	12
6	480	3	48	3	17-1/8	MTI-360A	AS	187768	6	MTI-360E2	AS	187776	9	MTI-360E4TP	AS	064370	12
7.5	240	3	53	3	19-1/8	MTI-375A	AS	187784	6	MTI-375E2	AS	187792	9	MTI-375E4TP	AS	064389	12
7.5	480	3	53	3	19-1/8	MTI-375A	AS	187805	6	MTI-375E2	AS	187813	9	MTI-375E4TP	AS	064397	12
9	240	3	47	3	24-1/2	MTI-390A	AS	187821	7	MTI-390E2	AS	187830	10	MTI-390E4TP	AS	064400	13
9	480	3	47	3	24-1/2	MTI-390A	AS	187848	7	MTI-390E2	AS	187856	10	MTI-390E4TP	AS	064418	13
12	240	3	46	3	32-1/4	MTI-3120A	AS	187864	9	MTI-3120E2	AS	187872	12	MTI-3120E4TP	AS	064266	15
12	480	3	46	3	32-1/4	MTI-3120A	AS	187880	9	MTI-3120E2	AS	187899	12	MTI-3120E4TP	AS	064274	15
15	240	3	46	3	39-3/8	MTI-3150A	AS	187901	10	MTI-3150E2	AS	187910	13	MTI-3150E4TP	AS	064282	16
15	480	3	46	3	39-3/8	MTI-3150A	AS	187928	10	MTI-3150E2	AS	187936	13	MTI-3150E4TP	AS	064290	16
18	240	3	51	3	47-3/8	MTI-3180A	AS	187944	12	MTI-3180E2	AS	187952	15	MTI-3180E4TP	AS	064303	18
18	480	3	51	3	47-3/8	MTI-3180A	AS	187960	12	MTI-3180E2	AS	187979	15	MTI-3180E4TP	AS	064311	18

**Stock Status:** S = stock AS = assembly stock NS = non-stock  
**To Order**—Specify model, volts, phase, kW, PCN and quantity.

1. Heaters with General Purpose Enclosures are UL Listed and CSA Certified.
2. Heaters with Moisture Resistant/Explosion Resistant Enclosures are CSA NRTL/C Certified.