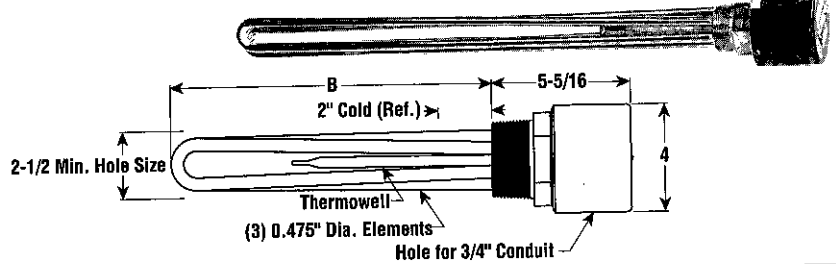


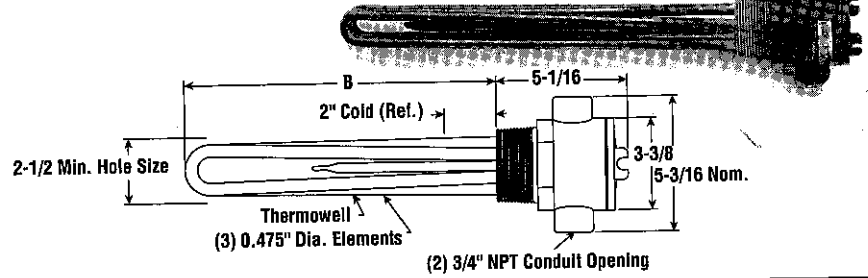
MTS-3 Process Water Applications

- 2-1/2" NPT Stainless Steel Passivated Screw Plug
- Stainless Steel Passivated Sheath Elements
- High Watt Density (46 - 53 W/In²)
- 3 - 18 kW
- Without Thermostat
- 120, 208, 240 and 480 Volt, 1 & 3 Phase
- General Purpose, Moisture Resistant/Explosion Resistant Terminal Enclosure or Moisture Resistant

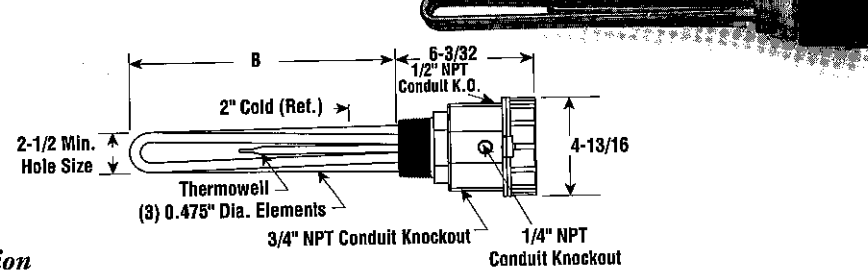
E1 — Dimensions (Inches)



E2 — Dimensions (Inches)



E4TP — Dimensions (Inches)



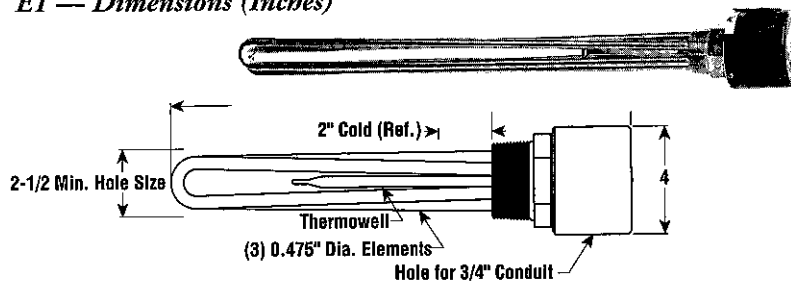
Specifications and Ordering Information

						E1 General Purpose ¹				E2 Moisture Resistant/ Explosion Resistant ²				E4 Moisture Resistant			
kW	Volts	Phase	W/In ²	No. Elem.	DIM B (In.)	Model	Stock	PCN	Wt. (Lbs.)	Model	Stock	PCN	Wt. (Lbs.)	Model	Stock	PCN	Wt. (Lbs.)
3	120	1	51	3	6-7/8	MTS-330A	AS	256954	5	MTS-330E2	AS	186757	8	MTS-330E4TP	AS	065090	5
3	208	1	51	3	6-7/8	MTS-330A	AS	186765	5	MTS-330E2	AS	186773	8	MTS-330E4TP	AS	065103	5
3	208	3	51	3	6-7/8	MTS-330A	AS	186781	5	MTS-330E2	AS	186790	8	MTS-330E4TP	AS	065111	5
3	240	1	51	3	6-7/8	MTS-330A	AS	256962	5	MTS-330E2	AS	289810	8	MTS-330E4TP	AS	065120	5
3	240	3	51	3	6-7/8	MTS-330A	AS	256997	5	MTS-330E2	AS	289828	8	MTS-330E4TP	AS	065138	5
3	480	1	51	3	6-7/8	MTS-330A	AS	256970	5	MTS-330E2	AS	310906	8	MTS-330E4TP	AS	065146	5
3	480	3	51	3	6-7/8	MTS-330A	S	257009	5	MTS-330E2	AS	289836	8	MTS-330E4TP	AS	065154	5
4.5	120	1	48	3	10-7/8	MTS-345A	AS	258360	6	MTS-345E2	AS	186802	9	MTS-345E4TP	AS	065162	6
4.5	208	1	48	3	10-7/8	MTS-345A	AS	186810	6	MTS-345E2	AS	186829	9	MTS-345E4TP	AS	065170	6
4.5	208	3	48	3	10-7/8	MTS-345A	AS	186837	6	MTS-345E2	AS	186845	9	MTS-345E4TP	AS	065189	6
4.5	240	1	48	3	10-7/8	MTS-345A	AS	192030	6	MTS-345E2	AS	289844	9	MTS-345E4TP	AS	065197	6
4.5	240	3	48	3	10-7/8	MTS-345A	S	192049	6	MTS-345E2	AS	289852	9	MTS-345E4TP	AS	065200	6
4.5	480	1	48	3	10-7/8	MTS-345A	AS	258378	6	MTS-345E2	AS	289860	9	MTS-345E4TP	AS	065218	6
4.5	480	3	48	3	10-7/8	MTS-345A	S	258394	6	MTS-345E2	AS	289879	9	MTS-345E4TP	AS	065226	6
6	120	1	48	3	16-7/8	MTS-360A	AS	192057	6	MTS-360E2	AS	186853	9	MTS-360E4TP	AS	065234	6
6	208	1	48	3	16-7/8	MTS-360A	AS	186861	6	MTS-360E2	AS	186870	9	MTS-360E4TP	AS	065242	6
6	208	3	48	3	16-7/8	MTS-360A	AS	186888	6	MTS-360E2	AS	186896	9	MTS-360E4TP	AS	065250	6
6	240	1	48	3	16-7/8	MTS-360A	AS	192065	6	MTS-360E2	AS	289887	9	MTS-360E4TP	AS	065269	6
6	240	3	48	3	16-7/8	MTS-360A	S	192102	6	MTS-360E2	AS	289895	9	MTS-360E4TP	AS	065277	6
6	480	1	48	3	16-7/8	MTS-360A	AS	192073	6	MTS-360E2	AS	289908	9	MTS-360E4TP	AS	065285	6
6	480	3	48	3	16-7/8	MTS-360A	S	192110	6	MTS-360E2	S	289916	9	MTS-360E4TP	AS	065293	6
7.5	208	1	53	3	18-11/16	MTS-375A	AS	186909	6	MTS-375E2	AS	186917	9	MTS-375E4TP	AS	065306	6
7.5	208	3	53	3	18-11/16	MTS-375A	AS	186925	6	MTS-375E2	AS	186933	9	MTS-375E4TP	AS	065314	6
7.5	240	1	53	3	18-11/16	MTS-375A	AS	192137	6	MTS-375E2	AS	289924	9	MTS-375E4TP	AS	065322	6
7.5	240	3	53	3	18-11/16	MTS-375A	S	192161	6	MTS-375E2	AS	289932	9	MTS-375E4TP	AS	065330	6
7.5	480	1	53	3	18-11/16	MTS-375A	AS	192145	6	MTS-375E2	AS	289940	9	MTS-375E4TP	AS	065349	6
7.5	480	3	53	3	18-11/16	MTS-375A	S	192170	6	MTS-375E2	S	289959	9	MTS-375E4TP	AS	065357	6
9	208	1	47	3	24	MTS-390A	AS	186941	7	MTS-390E2	AS	186950	10	MTS-390E4TP	AS	065365	7
9	208	3	47	3	24	MTS-390A	AS	186976	7	MTS-390E2	AS	186968	10	MTS-390E4TP	AS	065373	7
9	240	1	47	3	24	MTS-390A	AS	192196	7	MTS-390E2	AS	289967	10	MTS-390E4TP	AS	065381	7
9	240	3	47	3	24	MTS-390A	S	192225	7	MTS-390E2	S	289975	10	MTS-390E4TP	AS	065390	7
9	480	1	47	3	24	MTS-390A	AS	192209	7	MTS-390E2	AS	289983	10	MTS-390E4TP	AS	065402	7
9	480	3	47	3	24	MTS-390A	S	192233	7	MTS-390E2	S	289991	10	MTS-390E4TP	AS	065410	7

MTS-3 Process Water Applications (cont'd.)

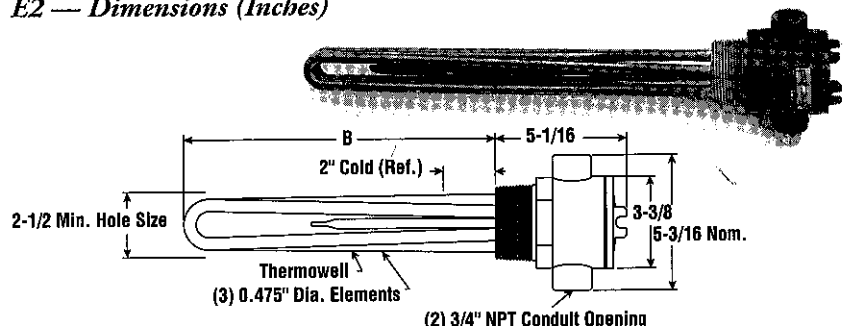
- 2-1/2" NPT Stainless Steel Passivated Screw Plug
- Stainless Steel Passivated Sheath Elements
- High Watt Density (46 - 53 W/in²)
- 3 - 18 kW
- Without Thermostat
- 120, 208, 240 and 480 Volt, 1 & 3 Phase
- General Purpose, Moisture Resistant/Explosion Resistant Terminal Enclosure or Moisture Resistant

E1 — Dimensions (Inches)

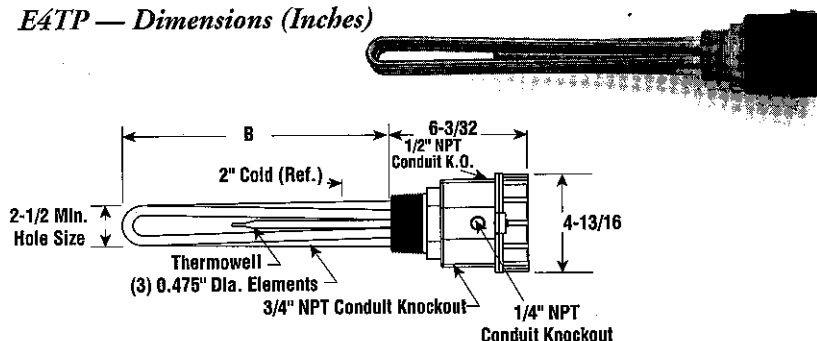


SCREW PLUG

E2 — Dimensions (Inches)



E4TP — Dimensions (Inches)



Specifications and Ordering Information

					E1 General Purpose ¹					E2 Moisture Resistant/ Explosion Resistant ²				E4 Moisture Resistant			
kW	Volts	Phase	W/in ²	No. Elem.	DIM B (In.)	Model	Stock	PCN	Wt. (Lbs.)	Model	Stock	PCN	Wt. (Lbs.)	Model	Stock	PCN	Wt. (Lbs.)
12	208	1	46	3	31-7/8	MTS-3120A*	AS	186984	9	MTS-3120E2*	AS	186992	12	MTS-3120E4TP*	AS	064910	9
12	208	3	46	3	31-7/8	MTS-3120A	AS	187004	9	MTS-3120E2	AS	187012	12	MTS-3120E4TP	AS	064928	9
12	240	1	46	3	31-7/8	MTS-3120A*	AS	192250	9	MTS-3120E2*	AS	290001	12	MTS-3120E4TP*	AS	064936	9
12	240	3	46	3	31-7/8	MTS-3120A	S	192284	9	MTS-3120E2	AS	290010	12	MTS-3120E4TP	AS	064944	9
12	480	1	46	3	31-7/8	MTS-3120A	AS	192268	9	MTS-3120E2	AS	290028	12	MTS-3120E4TP	AS	064952	9
12	480	3	46	3	31-7/8	MTS-3120A	S	192292	9	MTS-3120E2	S	290036	12	MTS-3120E4TP	AS	064960	9
15	208	1	46	3	39-3/8	MTS-3150A*	AS	187020	10	MTS-3150E2*	AS	310914	13	MTS-3150E4TP*	AS	064979	10
15	208	3	46	3	39-3/8	MTS-3150A	AS	187047	10	MTS-3150E2	AS	187055	13	MTS-3150E4TP	AS	064987	10
15	240	1	46	3	39-3/8	MTS-3150A*	AS	192313	10	MTS-3150E2*	AS	290044	13	MTS-3150E4TP*	AS	064995	10
15	240	3	46	3	39-3/8	MTS-3150A	AS	192348	10	MTS-3150E2	AS	290052	13	MTS-3150E4TP	AS	065007	10
15	480	1	46	3	39-3/8	MTS-3150A	AS	192321	10	MTS-3150E2	AS	290060	13	MTS-3150E4TP	AS	065015	10
15	480	3	46	3	39-3/8	MTS-3150A	S	192356	10	MTS-3150E2	S	290079	13	MTS-3150E4TP	AS	065023	10
18	208	1	51	3	46-7/8	MTS-3180A*	AS	187063	12	MTS-3180E2*	AS	310930	15	MTS-3180E4TP*	AS	065031	12
18	208	3	51	3	46-7/8	MTS-3180A*	AS	187080	12	MTS-3180E2*	AS	187098	15	MTS-3180E4TP*	AS	065040	12
18	240	1	51	3	46-7/8	MTS-3180A*	AS	192372	12	MTS-3180E2*	AS	290087	15	MTS-3180E4TP*	AS	065058	12
18	240	3	51	3	46-7/8	MTS-3180A	AS	192401	12	MTS-3180E2	AS	290095	15	MTS-3180E4TP	AS	065066	12
18	480	1	51	3	46-7/8	MTS-3180A	AS	192380	12	MTS-3180E2	AS	290108	15	MTS-3180E4TP	AS	065074	12
18	480	3	51	3	46-7/8	MTS-3180A	S	192410	12	MTS-3180E2	S	290116	15	MTS-3180E4TP	AS	065082	12

Stock Status: S = stock AS = assembly stock NS = non-stock
To Order—Specify model, volts, phase, kW, PCN and quantity.

1. Heaters with General Purpose Enclosures are UL Listed and CSA Certified except Models with *(Exceeds 48 Amps).
2. Heaters with Moisture Resistant/Explosion Resistant Enclosures are CSA NRTL/C Certified except Models with *(Exceeds 48 Amps).