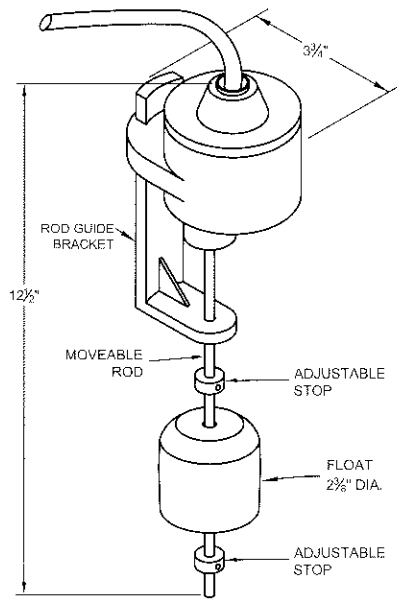
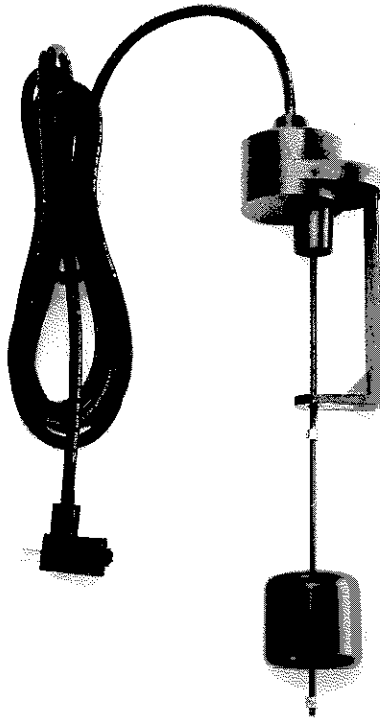


VERTICAL LIQUID LEVEL CONTROL SWITCH



Numbering System

VS-012 03 R9L-01
A B C D

A- Length of cord in inches

B- Termination; Standards are:

00- 1 3/4" ROJ & 3/4" Skive

R1- Piggyback 120 VAC Recognized

C1- Piggyback 120 VAC Listed

R2- Piggyback 240 VAC Recognized

C2- Piggyback 240 VAC Listed

03- 3-Pin Barrel Plug Recognized

C3- 3-Pin Barrel Plug Listed

C- Rod & Guide Information

R9L- 9" Rod with Lower Guide

R8L- 8" Rod with Lower Guide

R7L- 7" Rod with Lower Guide

R9U- 9" Rod with Upper Guide

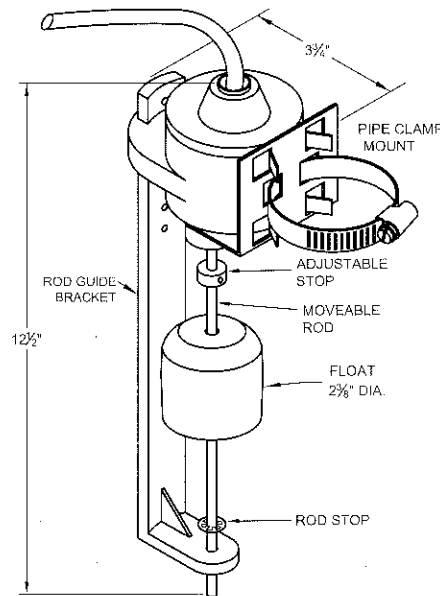
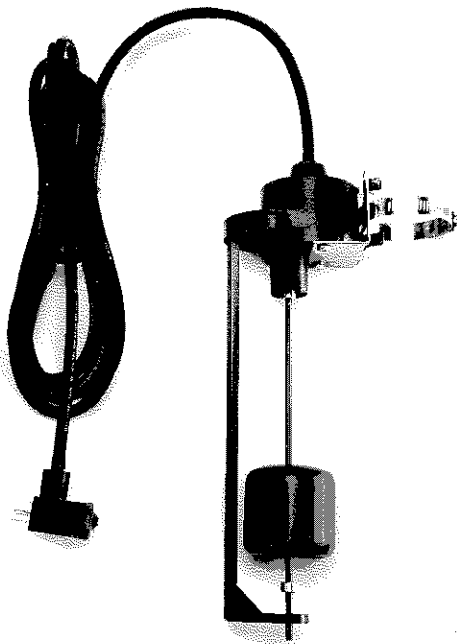
R8U- 8" Rod with Upper Guide

R7U- 7" Rod with Upper Guide

(optional)

D- With or Without Bracket, or Mounting System

01- Pipe Clamp



VS-Series

LIQUID LEVEL CONTROL

VS SERIES SUMP PUMP SWITCH

RATINGS: 10 AMP/1/2 H.P @ 120/240 V
50/60 Hz. FOR USE IN LIQUID
UP TO 140° F/60° C

PUMPING

RANGE: ADJUSTABLE UP TO 6 INCHES.

MATERIALS: *ENCLOSURE AND BRACKET
IS A.B.S. PLASTIC.

*FLOAT IS POLYPROPYLENE

*CORD IS C.P.E.

MOUNTING:

*STANDARD MOUNTING
HOLES FOR #8 SCREWS ON
2.06 INCH CENTERS ARE
LOCATED UNDER HOUSING.

*OPTIONAL PIPE MOUNT
BRACKET ALLOWS FOR
MOUNTING TO STANDARD
SIZE SUMP DISCHARGE
PIPING.