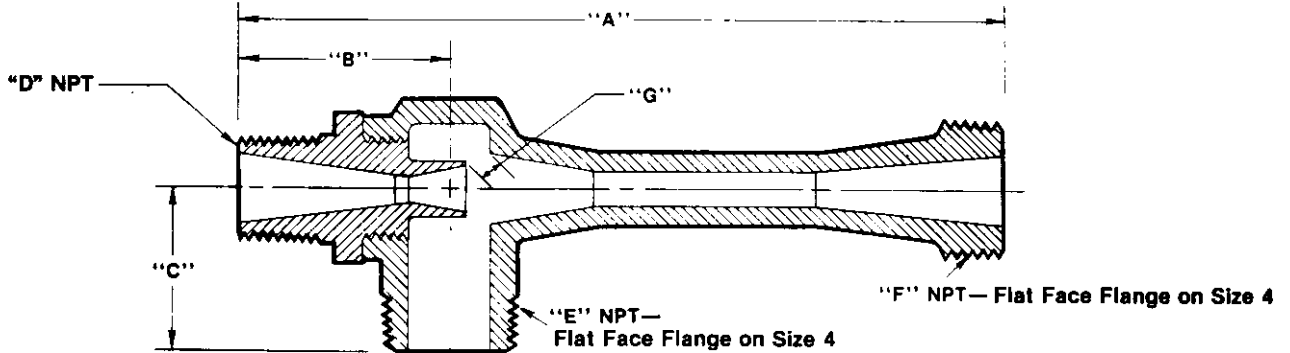


# dimensions

FOR: MODELS **LL, LM, LH, GL, GH** JET PUMPS - Cast Metal Construction  
**ELL, HLM, RJ**

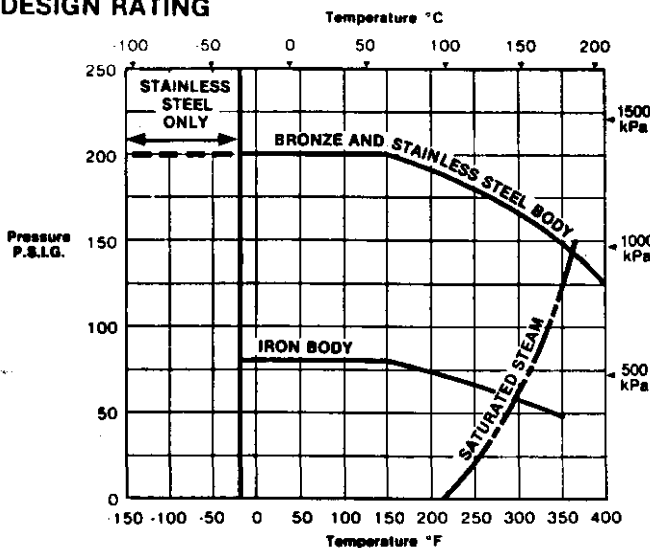


### MAXIMUM PARTICLE CLEARANCE

Model	Dimensions "G" In Inches & (CM)										
	Size										
	1/2A	1/2B	1/2	3/4	1	1-1/4	2	2-1/2	3	4	
LL	.073 (0.2)	.091 (0.2)	.146 (0.4)	.192 (0.5)	.247 (0.6)	.330 (0.8)	.421 (1.1)	.567 (1.4)	.750 (1.9)	1.025 (2.6)	1.447 (3.7)
LM	.065 (0.2)	.081 (0.2)	.129 (0.3)	.170 (0.4)	.218 (0.6)	.291 (0.7)	.372 (0.9)	.501 (1.3)	.663 (1.7)	.906 (2.3)	1.276 (3.2)
LH	.050 (0.1)	.063 (0.2)	.101 (0.3)	.132 (0.4)	.170 (0.6)	.227 (0.7)	.290 (0.7)	.391 (1.0)	.517 (1.3)	.707 (1.8)	.997 (2.5)
GL	.097 (0.2)	.122 (0.3)	.195 (0.5)	.256 (0.7)	.329 (0.8)	.439 (1.1)	.561 (1.4)	.756 (1.9)	.999 (2.5)	1.365 (3.5)	1.926 (4.9)
GH	.057 (0.1)	.071 (0.2)	.114 (0.3)	.150 (0.4)	.193 (0.5)	.258 (0.7)	.329 (0.8)	.444 (1.1)	.587 (1.5)	.801 (2.0)	1.131 (2.9)

Size	Model	Dimensions In Inches & (CM)					
		"A"	"B"	"C"	"D"	"E"	"F"
1/2A	LL, LM, LH, GL, GH, HLM	4-3/8 (11.1)	1-1/2 (3.8)	1-1/4 (3.2)	1/4 (0.6)	1/2 (1.3)	1/2 (1.3)
1/2B	LL, LM, LH, GL, GH, ELL, HLM	4-3/8 (11.1)	1-1/2 (3.8)	1-1/4 (3.2)	1/4 (0.6)	1/2 (1.3)	1/2 (1.3)
1/2	LL	4-1/2 (11.4)	1-5/8 (4.1)	1-1/4 (3.2)	1/4 (0.6)	1/2 (1.3)	1/2 (1.3)
	LM, LH, GL, GH, ELL, HLM	4-1/2 (11.4)	1-5/8 (4.1)	1-1/4 (3.2)	3/8 (1.0)	1/2 (1.3)	1/2 (1.3)
3/4	LL	5-7/8 (14.9)	2 (5.1)	1-1/2 (3.8)	3/8 (1.0)	3/4 (1.9)	3/4 (1.9)
	LM, LH, GL, GH, ELL, HLM	5-7/8 (14.9)	2 (5.1)	1-1/2 (3.8)	1/2 (1.3)	3/4 (1.9)	3/4 (1.9)
1	LL	7-1/8 (18.1)	2-1/4 (5.7)	1-3/4 (4.4)	1/2 (1.3)	1 (2.5)	1 (2.5)
	LM, LH, GL, GH, ELL, HLM, RJ	7-1/8 (18.1)	2-1/4 (5.7)	1-3/4 (4.4)	3/4 (1.9)	1 (2.5)	1 (2.5)
1-1/4	LL	9 (22.9)	2-1/2 (6.4)	2-1/4 (5.7)	3/4 (1.9)	1-1/4 (3.2)	1-1/4 (3.2)
	LM, LH, GL, GH, ELL, HLM, RJ	9 (22.9)	2-1/2 (6.4)	2-1/4 (5.7)	1 (2.5)	1-1/4 (3.2)	1-1/4 (3.2)
1-1/2	LL, LM, GL, GH, ELL, HLM	11 (27.9)	2-3/4 (7.0)	2-1/2 (6.4)	1 (2.5)	1-1/2 (3.8)	1-1/2 (3.8)
	LH, RJ	11 (27.9)	2-3/4 (7.0)	2-1/2 (6.4)	1-1/4 (3.2)	1-1/2 (3.8)	1-1/2 (3.8)
2	LL, LM, GL, GH, ELL, HLM	14-3/8 (36.5)	3-1/8 (7.9)	3 (7.6)	1-1/4 (3.2)	2 (5.1)	2 (5.1)
	LH, RJ	14-3/8 (36.5)	3-1/8 (7.9)	3 (7.6)	1-1/2 (3.8)	2 (5.1)	2 (5.1)
2-1/2	LL, LM, GL, GH, ELL, HLM	18-1/8 (46.0)	3-1/2 (8.9)	4-1/8 (10.5)	1-1/2 (3.8)	2-1/2 (6.4)	2-1/2 (6.4)
	LH, RJ	18-1/8 (46.0)	3-1/2 (8.9)	4-1/8 (10.5)	2 (5.1)	2-1/2 (6.4)	2-1/2 (6.4)
3	LL, LM, LH, GL, GH, ELL, HLM, RJ	23-7/8 (60.6)	4 (10.2)	5 (12.7)	2 (5.1)	3 (7.6)	3 (7.6)
4	LL, LM, LH, GL, GH, ELL, HLM	32-7/8 (83.6)	5 (12.7)	6 (15.2)	3 (7.6)	4 (10.2)	4 (10.2)

### DESIGN RATING



Iron RJ is not recommended for inline heating. 200 P.S.I. Max. -150°F to +400°F at "D"

Bolting corresponds to ASA 150 lbs.,

Certified For: (Dimensions Are Not For Construction Unless Certified)

Customer \_\_\_\_\_  
 Order No. \_\_\_\_\_  
 Quantity \_\_\_\_\_  
 Material \_\_\_\_\_  
 Tag No's. \_\_\_\_\_  
 Contractor \_\_\_\_\_