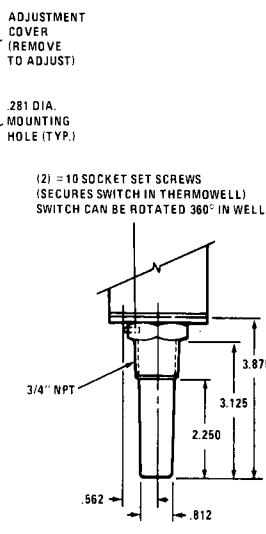
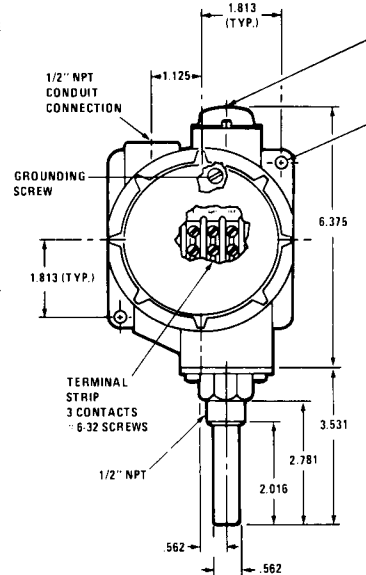
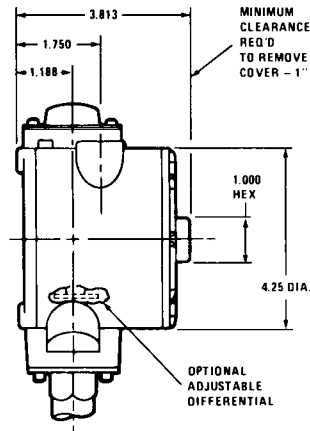
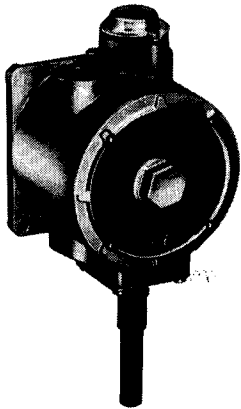


Barksdale Explosion-Proof Temperature Switches

L1X Description:

Single Setting
 Local Mount
 Designed for Hazardous Locations:
 UL listed and CSA certified
 Meets Class I, Division 1 & 2 Groups B, C and D.
 Class II, Groups E, F and G. Class III.
 Enclosure Classification: NEMA 4, 7, 9
 Tamperproof External Adjustment
 Enclosed Terminal Strip



THERMOWELL MODELS ONLY
 (See -WS Designation)

Operating Characteristics • Ordering Data

	Media Temperature Limits (Proof)				Adjustable Range				Differential (Approx.) Liquid*		Catalog Numbers		
	°F		°C		°F		°C		°F	°C	304 Stainless Steel Sensor	304 Stainless Steel Sensor W/316SS Thermowell	
Calibrated Dial Adjustment	Low	High	Low	High	Low	High	Low	High			These do not have thermowells and cannot be field adapted for use with thermowells.	L1X-H201S L1X-H202S L1X-H203S L1X-H351S L1X-H352S L1X-H353S	
	-100	+250	-73	+121	-50	+75	-45	+24	1 to 3	.5 to 1.6			L1X-H201S-WS
	-100	+250	-73	+121	+15	+140	-9	+60	1 to 3	.5 to 1.6			L1X-H202S-WS
	-100	+250	-73	+121	+75	+200	+24	+93	1 to 3	.5 to 1.6			L1X-H203S-WS
	-100	+400	-73	+205	+100	+225	+38	+107	1 to 3	.5 to 1.6			L1X-H351S-WS
Calibrated 5° Subdivision	Low	High	Low	High	Low	High	Low	High			L1X-H352S-WS L1X-H353S-WS		
	-100	+400	-73	+205	+165	+290	+74	+143	1 to 3	.5 to 1.6			
	-100	+400	-73	+205	+225	+350	+107	+177	1 to 3	.5 to 1.6			
Calibrated 5° Subdivision 250° Span	Low	High	Low	High	Low	High	Low	High			L1X-H204S L1X-H354S	L1X-H204S-WS L1X-H354S-WS	
	-100	+250	-73	+121	-50	+200	-45	+93	1 to 3	.5 to 1.6			
Calibrated 5° Subdivision 150° Span	Low	High	Low	High	Low	High	Low	High			L1X-H451S L1X-H452S L1X-H453S	L1X-H451S-WS L1X-H452S-WS L1X-H453S-WS	
	0	+500	-18	+260	+150	+300	+66	+149	3 to 6	1.6 to 3.3			
	0	+500	-18	+260	+230	+380	+110	+193	3 to 6	1.6 to 3.3			
Calibrated 10° Subdivision 300° Span	Low	High	Low	High	Low	High	Low	High			L1X-H454S	L1X-H454S-WS	
	0	+500	-18	+260	+300	+450	+149	+232	3 to 6	1.6 to 3.3			

*Test conditions and media used could affect differential.

Approx. Shipping Weight 4 lbs.

Detail Data

Electrical Characteristics: All models incorporate Underwriters' Laboratories, Inc. listed single pole double throw snap-action switching elements. Electrical rating (continuous inductive) 10 amps 125 or 250 volts AC, 3 amps 480 volts AC. Automatically reset by snap-action of switch. For more details and other switch classes, see page 14.

Electrical Connection: Screw terminals on covered terminal strip through 1/2" npt conduit connection.

Terminals Identified: C (Common), N.C. (Normally Closed), N.O. (Normally Open).

Wire Coding: Purple (Common), Blue (Normally Closed), Red (Normally Open).

Adjustment Instructions: Turn adjustment knob clockwise to increase actuation point (switch setting).

All models on this page have the following U.L. and C.S.A. listings:



Underwriters' Laboratories, Inc.
 Temperature indicating and regulating equipment, for use in hazardous locations, Class I, groups B, C and D; Class II, groups E, F and G; File No. E58658, Guide No. XBDV.



Canadian Standards Association. Temperature indicating and regulating equipment, for use in hazardous locations. Class I, groups C and D; Class II, groups E, F and G; Class III. File No. LR34556, Guide No. 400-E-0.8. Class 4868.