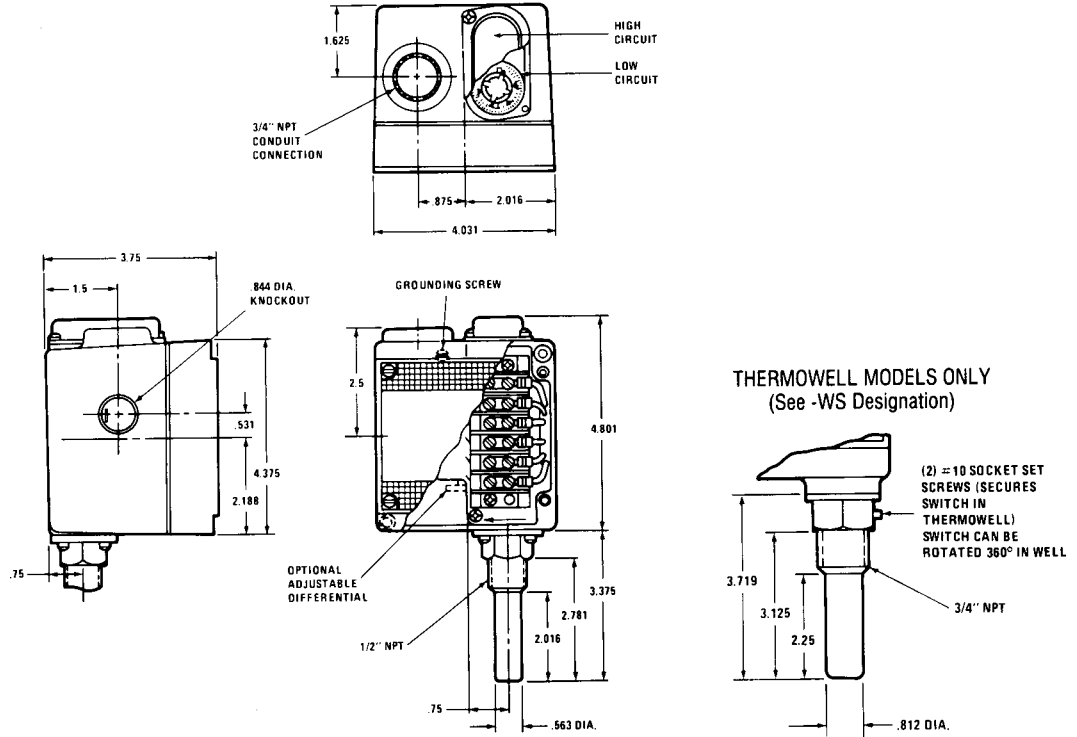
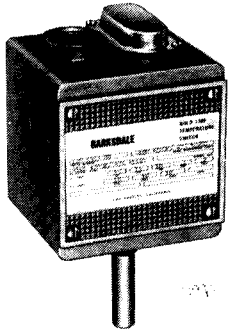


Barksdale Temperature Switches

L2H Description:

- Dual Setting —
- 2 Independent SPDT Circuits
- Local Mount
- Watertight and Dusttight—
- Indoor and Outdoor (NEMA 4)
- Oiltight and Dusttight—
- Indoor (NEMA 13)
- Enclosed Terminal Strip
- Tamperproof External Adjustment



Operating Characteristics • Ordering Data

Calibrated Dial Adjustment	Media Temperature Limit (Proof)				Adjustable Range				Differential (Approx.)* Liquid/Low Circuit		Catalog Numbers		
	°F Low	°F High	°C Low	°C High	°F Low	°F High	°C Low	°C High	°F	°C	Brass Sensor	304 Stainless Steel Sensor	304 Stainless Steel Sensor W/316SS Thermowell
Calibrated	-100	+250	-73	+121	-50	+75	-45	+24	1 to 3	.5 to 1.6	L2H-H201	L2H-H201S	L2H-H201S-WS
2° Subdivision	-100	+250	-73	+121	+15	+140	-9	+60	1 to 3	.5 to 1.6	L2H-H202	L2H-H202S	L2H-H202S-WS
125° Span	-100	+250	-73	+121	+75	+200	+24	+93	1 to 3	.4 to 1.6	L2H-H203	L2H-H203S	L2H-H203S-WS
	-100	+400	-73	+205	+100	+225	+38	+107	1 to 3	.5 to 1.6	L2H-H351	L2H-H351S	L2H-H351S-WS
	-100	+400	-73	+205	+165	+290	+74	+143	1 to 3	.5 to 1.6	L2H-H352	L2H-H352S	L2H-H352S-WS
	-100	+400	-73	+205	+225	+350	+107	+177	1 to 3	.5 to 1.6	L2H-H353	L2H-H353S	L2H-H353S-WS
Calibrated 5° Subdivision	-100	+250	-73	+121	-50	+200	-45	+93	1 to 3	.5 to 1.6	L2H-H204	L2H-H204S	L2H-H204S-WS
250° Span	-100	+400	-73	+205	+100	+350	+38	+177	1 to 3	.5 to 1.6	L2H-H354	L2H-H354S	L2H-H354S-WS
Calibrated 5° Subdivision	0	+500	-18	+260	+150	+300	+66	+149	3 to 6	1.6 to 3.3	L2H-H451	L2H-H451S	L2H-H451S-WS
150° Span	0	+500	-18	+260	+230	+380	+110	+193	3 to 6	1.6 to 3.3	L2H-H452	L2H-H452S	L2H-H452S-WS
	0	+500	-18	+260	+300	+450	+149	+232	3 to 6	1.6 to 3.3	L2H-H453	L2H-H453S	L2H-H453S-WS
Calibrated 10° Subdivision	0	+500	-18	+260	+150	+450	+66	+232	3 to 6	1.6 to 3.3	L2H-H454	L2H-H454S	L2H-H454S-WS
300° Span													

*Test conditions and media used could affect differential.

Approx. Shipping Weight 3 lbs.

Detail Data

Electrical Characteristics: All models incorporate Underwriters' Laboratories, Inc. listed single pole double throw snap-action switching elements. Electrical rating (continuous inductive) 10 amps 125 or 250 volts AC, 3 amps 480 volts AC. Automatically reset by snap-action of switch. For more details and other switch classes, see page 14.

Electrical Connection: Screw terminals on covered terminal strip through 3/4" npt conduit connection.

Terminals Identified: Low Circuit - C (Common), N.C. (Normally Closed), N.O. (Normally Open); High Circuit - C (Common), N.C. (Normally Closed), N.O. (Normally Open).

Wire Coding: Low Circuit - Purple (Common), Blue (Normally Closed), Red (Normally Open); High Circuit - Brown (Common), Orange (Normally Closed), Yellow (Normally Open).

Adjustment Instructions: Turn adjustment knob clockwise to increase actuation point (switch setting).

Optional Modifications

MANUAL RESET AVAILABLE. Consult factory for price and delivery. Nema 4X is available with green polyurethane paint and stainless steel fasteners.

All models on this page have the following U.L. and C.S.A. listings:



Underwriters' Laboratories, Inc. Temperature indicating and regulating equipment. File No. E56247, Guide No. XAPX.



Canadian Standards Association listed for temperature indicating and regulating equipment. File No. LR34555, Guide NO. 400-E-O. Class 4813.