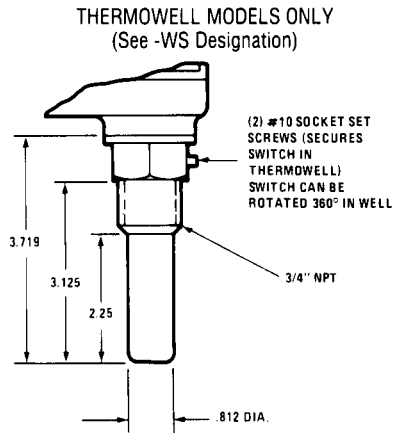
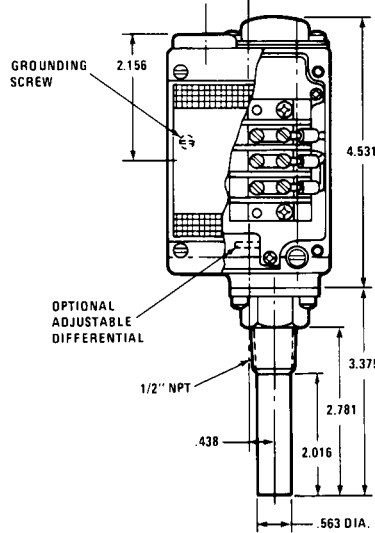
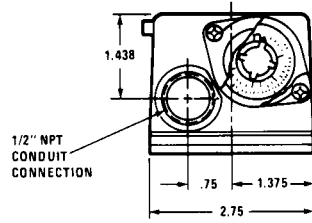
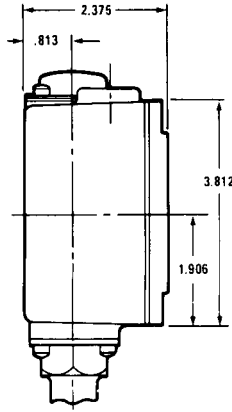
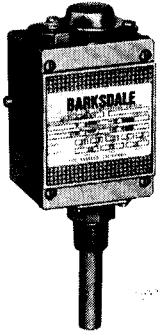


Barksdale Temperature Switches

ML1H Description:

- Single Setting
- Local Mount
- Watertight and Dusttight—
Indoor and Outdoor (NEMA 4)
- Oiltight and Dusttight—
Indoor (NEMA 13)
- Enclosed Terminal Strip
- Tamperproof External Adjustment



Operating Characteristics • Ordering Data

Calibrated Dial Adjustment	Media Temperature Limits (Proof)				Adjustable Range				Differential (Approx.) Liquid*		Catalog Numbers		
	°F		°C		°F		°C		°F	°C	Brass Sensor	304 Stainless Steel Sensor	304 Stainless Steel Sensor W/316SS Thermowell
	Low	High	Low	High	Low	High	Low	High			These do not have thermowells and cannot be field adapted for use with thermowells.		
Calibrated 2° Subdivision 125° Span	-100	+250	-73	+121	-50	+75	-45	+24	1 to 3	.5 to 1.6	ML1H-H201	ML1H-H201S	ML1H-H201S-WS
	-100	+250	-73	+121	+15	+140	-9	+60	1 to 3	.5 to 1.6	ML1H-H202	ML1H-H202S	ML1H-H202S-WS
	-100	+250	-73	+121	+75	+200	+24	+93	1 to 3	.5 to 1.6	ML1H-H203	ML1H-H203S	ML1H-H203S-WS
	-100	+400	-73	+205	+100	+225	+38	+107	1 to 3	.5 to 1.6	ML1H-H351	ML1H-H351S	ML1H-H351S-WS
	-100	+400	-73	+205	+165	+290	+74	+143	1 to 3	.5 to 1.6	ML1H-H352	ML1H-H352S	ML1H-H352S-WS
Calibrated 5° Subdivision 250° Span	-100	+250	-73	+121	-50	+200	-45	+93	1 to 3	.5 to 1.6	ML1H-H204	ML1H-H204S	ML1H-H204S-WS
	-100	+400	-73	+205	+100	+350	+38	+177	1 to 3	.5 to 1.6	ML1H-H354	ML1H-H354S	ML1H-H354S-WS
Calibrated 5° Subdivision 150° Span	0	+500	-18	+260	+150	+300	+66	+149	3 to 6	1.6 to 3.3	ML1H-H451	ML1H-H451S	ML1H-H451S-WS
	0	+500	-18	+260	+230	+380	+110	+193	3 to 6	1.6 to 3.3	ML1H-H452	ML1H-H452S	ML1H-H452S-WS
Calibrated 10° Subdivision 300° Span	0	+500	-18	+260	+300	+450	+149	+232	3 to 6	1.6 to 3.3	ML1H-H453	ML1H-H453S	ML1H-H453S-WS
	0	+500	-18	+260	+150	+450	+66	+232	3 to 6	1.6 to 3.3	ML1H-H454	ML1H-H454S	ML1H-H454S-WS

*Test conditions and media used could affect differential.

Approx. Shipping Weight 1 1/2 lbs.

Detail Data

Electrical Characteristics: All models incorporate Underwriters' Laboratories, Inc. listed single pole double throw snap-action switching elements. Electrical rating (continuous inductive) 10 amps 125 or 250 volts AC, 3 amps 480 volts AC. Automatically reset by snap-action of switch. For more details and other switch classes, see page 14.

Electrical Connection: Screw terminals on covered terminal strip through 1/2" npt conduit connection.

Terminals Identified: C (Common), N.C. (Normally Closed), N.O. (Normally Open).

Wire Coding: Purple (Common), Blue (Normally Closed), Red (Normally Open).

Adjustment Instructions: Turn adjustment knob clockwise to increase actuation point (switch setting).

Optional Modifications

MANUAL RESET AVAILABLE. Consult factory for price and delivery.
Nema 4X is available with green polyurethane paint and stainless steel fasteners.

All models on this page have the following U.L. and C.S.A. listings:



Underwriters' Laboratories, Inc.
Temperature indicating and regulating equipment. File No. E56247, Guide No. XAPX.

Canadian Standards Association listed for temperature indicating and regulating equipment. File No. LR34555, Guide NO. 400-E-O. Class 4813.