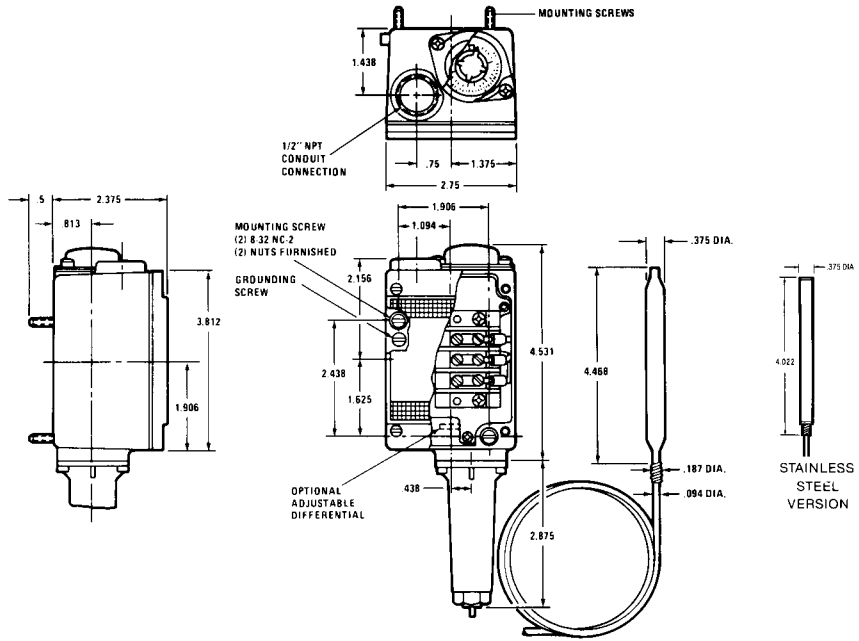
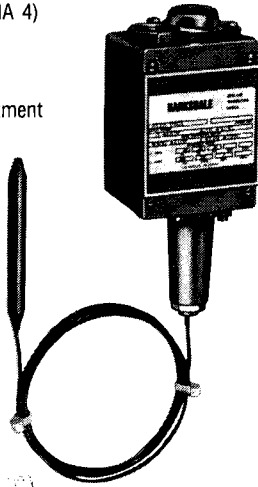


Barksdale Temperature Switches

MT1H Description:

- Single Setting
- Remote Bulb
- Watertight and Dusttight—
Indoor and Outdoor (NEMA 4)
- Oiltight and Dusttight—
Indoor (NEMA 13)
- Enclosed Terminal Strip
- Tamperproof External Adjustment
- Thermowells Available



Operating Characteristics • Ordering Data

Calibrated Dial Adjustment	Media Temperature Limit (Proof)				Adjustable Range				Differential (Approx.) Liquid		Catalog Numbers						
	°F		°C		°F		°C		°F		°C		Copper Bulb and Capillary		304 Stainless Bulb and Capillary		
	Low	High	Low	High	Low	High	Low	High	°F	°C	6 Ft. Cap.	12 Ft. Cap.	6 Ft. Cap.	12 Ft. Cap.	12 Ft. Cap. W/302 S/S Armor		
Calibrated	-100	+200	-73	+93	-65	+135	-54	+57	1 to 2	.5 to 1.1	MT1H-H152	MT1H-H152-12	MT1H-H152S	MT1H-H152S-12	MT1H-H152S-12-A		
5° Subdivision	-100	+200	-73	+93	-50	+150	-45	+66	1 to 2	.5 to 1.1	MT1H-H154	MT1H-H154-12	MT1H-H154S	MT1H-H154S-12	MT1H-H154S-12-A		
200° Span	-100	+300	-73	+149	+50	+250	+10	+121	1 to 2	.5 to 1.1	MT1H-H251	MT1H-H251-12	MT1H-H251S	MT1H-H251S-12	MT1H-H251S-12-A		
	-100	+400	-73	+205	+150	+350	+66	+177	1 to 2	.5 to 1.1	MT1H-H351	MT1H-H351-12	MT1H-H351S	MT1H-H351S-12	MT1H-H351S-12-A		
Calibrated	0	+650	-18	+343	+300	+440	+149	+227	2 to 4	1.1 to 2.2	MT1H-H601	MT1H-H601-12	MT1H-H601S	MT1H-H601S-12	MT1H-H601S-12-A		
5° Subdivision	0	+650	-18	+343	+360	+500	+182	+260	2 to 4	1.1 to 2.2	MT1H-H604	MT1H-H604-12	MT1H-H604S	MT1H-H604S-12	MT1H-H604S-12-A		
140° Span	0	+650	-18	+343	+460	+600	+238	+316	2 to 4	1.1 to 2.2	MT1H-H605	MT1H-H605-12	MT1H-H605S	MT1H-H605S-12	MT1H-H605S-12-A		
10° Subdivision	0	+650	-18	+343	+300	+580	+149	+304	2 to 4	1.1 to 2.2	MT1H-H602	MT1H-H602-12	MT1H-H602S	MT1H-H602S-12	MT1H-H602S-12-A		
280° Span	0	+650	-18	+343	+320	+600	+160	+316	2 to 4	1.1 to 2.2	MT1H-H603	MT1H-H603-12	MT1H-H603S	MT1H-H603S-12	MT1H-H603S-12-A		

*Test conditions and media used could affect differential.

Approx. Shipping Weight 1 1/2 lbs.

Detail Data

Electrical Characteristics: All models incorporate Underwriters' Laboratories, Inc. listed single pole double throw snap-action switching elements. Electrical rating (continuous inductive) 10 amps 125 or 250 volts AC, 3 amps 480 volts AC. Automatically reset by snap-action of switch. For more details and other switch classes, see page 14.

Electrical Connection: Screw terminals on covered terminal strip through 1/2" npt conduit connection.

Terminals Identified: C (Common), N.C. (Normally Closed), N.O. (Normally Open).

Wire Coding: Purple (Common), Blue (Normally Closed), Red (Normally Open).

Adjustment Instructions: Turn adjustment knob clockwise to increase actuation point (switch setting).

Optional Modifications

Thermowells and accessories in brass or 316 stainless steel available. Special capillary variations also available. For complete information, refer to page 13.

MANUAL RESET AVAILABLE. Consult factory for price and delivery.

Nema 4X is available with green polyurethane paint and stainless steel fasteners.

All models on this page have the following U.L. and C.S.A. listings:



Underwriters' Laboratories, Inc.
Temperature indicating and regulating equipment. File No. E56247, Guide No. XAPX.



Canadian Standards Association listed for temperature indicating and regulating equipment. File No. LR34555. Guide NO. 400-E-0. Class 4813.