



**1342 Series**

**New products**

**Hydraulic, Water  
Hammer-Proof Solenoid Valve**

To request a technical bulletin for models that are not included in this catalog, please contact **JEFFERSON** at:  
**jsventas@jefferson.com.ar**

**CERTIFIED QUALITY SYSTEM**

Contact our manufacturing plant for information on available models

**Applications:**

- Pumps. Laundry equipments.
- Irrigation. Compressors. Pollution controls.
- Heating with medium or high pressure steam.
- Autoclaves. Industrial laundry equipments.
- Spraying. Irrigation.
- Air dryers. water treatment.

**Main characteristics.**

Normally closed or normally open.  
Servo-operated action.  
3/4" to 3" BSP or NPT threaded connections.  
Body: Forged brass or stainless steel.  
Core tube SS. 304 and 316.  
Plunger and fixed core: SS. 430 F.  
Shading coil: copper, silver or aluminium

Shape A DIN 43650 Connection encapsulated coils.  
IP65 and NEMA4 Protection.

**Options:**

- Energized coil indicator light.
- Explosion and / or weather proof coils and housings.
- Manual operator on main passage.
- Manual operator on pilot orifice.

**Operating pressure differential**

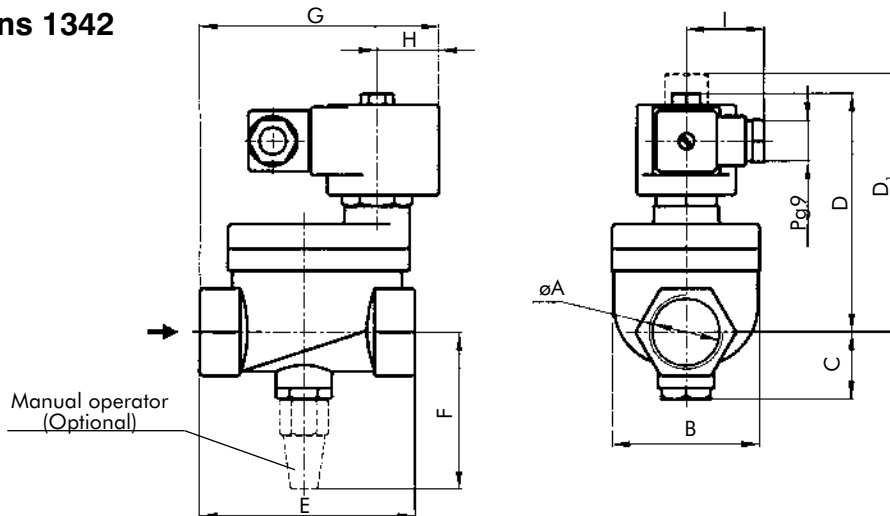
**\*Advise:** when using direct current (DC), a 25% reduction on the maximum operating pressure differential is expected

Type	Minimum				Maximum steam		Maximum other fluids			
	Others seats		Buna "N" seat		PTFE seat		PTFE seat		Other seats	
	bar	psi	bar	psi	bar	psi	bar	psi	bar	psi
NC	0.5	7.5	0.2	3	10	150	17 *	255 *	15 *	225 *
NO	0.5	7.5	0.2	3	10	150	10	150	10	150

**Technical specifications - Brass body**

Ø Pipe ins	Ø Orifice		Flow factor		Weight		Maximum temp. and catalog N° according to seat material				
	mm	ins.	Kv	Cv	kg	Lb	Buna "N"	Neoprene	EPDM	FKM	PTFE
							80 °C / 176 °F	80 °C / 176 °F	145 °C / 293 °F	150 °C / 302 °F	180 °C / 356 °F
<b>Normally closed</b>											
3/4"	20	0.79	5	5.9	1.2	2.6	1342BA06	1342BN06	1342BE06	1342BV06	1342BT06
1"	26	1.02	11	13	1.7	3.8	1342BA08	1342BN08	1342BE08	1342BV08	1342BT08
1.1/2"	38	1.50	25	29	3.1	6.8	1342BA12	1342BN12	1342BE12	1342BV12	1342BT12
2"	50	1.97	40	47	4.1	9.0	1342BA16	1342BN16	1342BE16	1342BV16	1342BT16
2.1/2"	76	3.00	66	77	19	42	1342BA20	1342BN20	1342BE20	1342BV20	1342BT20
3"	76	3.00	85	99	18	40	1342BA24	1342BN24	1342BE24	1342BV24	1342BT24
<b>Normally open</b>											
3/4"	20	0.79	5	5.9	1.2	2.6	1342BA06INA	1342BN06INA	1342BE06INA	1342BV06INA	1342BT06INA
1"	26	1.02	11	13	1.7	3.8	1342BA08INA	1342BN08INA	1342BE08INA	1342BV08INA	1342BT08INA
1.1/2"	38	1.50	25	29	3.1	6.8	1342BA12INA	1342BN12INA	1342BE12INA	1342BV12INA	1342BT12INA
2"	50	1.97	40	47	4.1	9.0	1342BA16INA	1342BN16INA	1342BE16INA	1342BV16INA	1342BT16INA
2.1/2"	76	3.00	66	77	19	42	1342BA20INA	1342BN20INA	1342BE20INA	1342BV20INA	1342BT20INA
3"	76	3.00	85	99	18	40	1342BA24INA	1342BN24INA	1342BE24INA	1342BV24INA	1342BT24INA

**General dimensions 1342**



øA	B	C	D	D <sub>1</sub>	E	F	G	H	I
R 3/4"	52	26	104	114	71	68	84	27	35
R 1"	67	30	108	118	96	72	104		
R 1,1/2"	81	36	119	129	114	79	122		
R 2"	97	44	125	135	128	85	138		
R 2,1/2"-3"	163	89	214	224	224	170	-		

Measurements: mm

øA	B	C	D	D <sub>1</sub>	E	F	G	H	I
R 3/4"	2.05	1.02	4.09	4.49	2.80	2.68	3.31	1.06	1.38
R 1"	2.64	1.18	4.25	4.65	3.78	2.83	4.09		
R 1,1/2"	3.19	1.42	4.69	5.08	4.49	3.11	4.80		
R 2"	3.82	1.73	4.92	5.31	5.04	3.35	5.43		
R 2,1/2"-3"	6.42	3.50	8.43	8.82	8.82	6.69	-		

Measurements: ins.

**Special constructions**

Stainless steel body:

- AISI304: change letter **B** for **S** in the catalog N<sup>o</sup>.  
Example: 1342ST08.
- AISI316: change letter **B** for **I** in the catalog N<sup>o</sup>.  
Example: 1342IT08.

**Coil characteristics**

Electric power supply	Coil type	Power W	VA (volt-amper)		Maximum temperature		Available tensions
			Inrush	Holding	° C	° F	
AC 50 Hz	MF11C	11	40	22	155	311	1
	MH11C	11	40	22	180	356	1
AC 60 Hz	MF13C	13	45	27	155	311	2
	MH13C	13	45	27	180	356	2
DC	MH19C	19	19	19	180	356	3

1-(12,24,110,220,240)V 2-(12,24,110,120,220,240)V 3-(12,24,110,220)V

Options	Prefix	Suffix	Examples
Water, weather and saline corrosion proof coils.	<b>YC</b>		<b>YC1342BA08</b>
Explosion and weather proof coils.	<b>ZC</b>		<b>ZC1342BA08</b>
Weather proof housing.	<b>Y</b>		<b>Y1342BA08</b>
Explosion and weather proof housing.	<b>Z</b>		<b>Z1342BA08</b>
Manual operator: on main orifice. (**)		<b>- M</b>	<b>1342BA08-M</b>
Manual operator on pilot orifice. (*)(**)		<b>-MP</b>	<b>1342BA08-MP</b>
NPT connections		<b>T</b>	<b>1342BA08T</b>
Energized coil indicator light	See coils.		

(\*) PTFE seat not available

(\*\*) Only NC versions.

**Recommendations for installation.**

Place a strainer upstream the valve with a porosity ≤ 100µ. Mount the valve preferably over horizontal pipeline with the coil upright. The valve input pressure must always be > than the output pressure. In order to allow the normally closed or normally open valve to open, the minimum pressure indicated for each model must be respected.

**Application according to seat material**

Seat material	Buna "N"	Neoprene	EPDM	FKM	PTFE
Maximum temperature	+80 °C / 176 °F	+80 °C / 176 °F	+145 °C / 293 °F	+150 °C / 302 °F	+180 °C / 356 °F
Uses	Water, air, light oils. Neutral gases. Kerosene, low and medium vacuum	Oxygen, alcohol, argon, other non-corrosive light gases and liquids, Freon 12.	Water steam, hot water, acetone.	Benzene, naphta, aromatics, etc. hot gases, diesel oil.	Steam, hot oils, corrosive fluids.